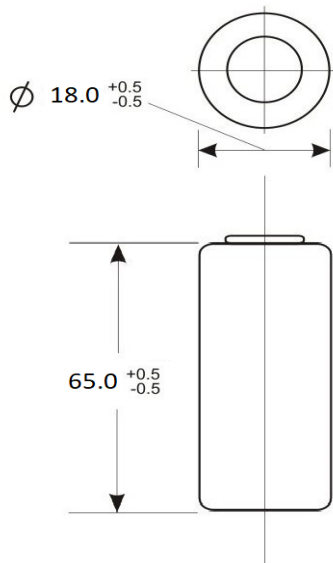


## QBAT INDUSTRIAL ICR18650 2200mAh

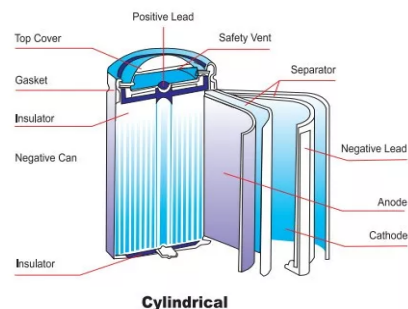
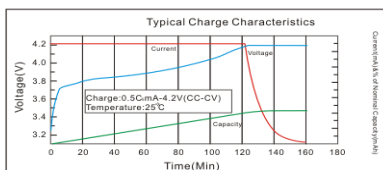
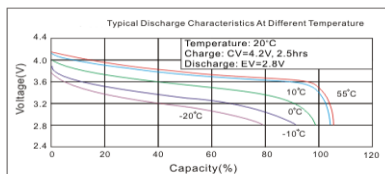
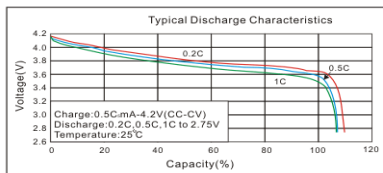
Li-ion Cylindrical Battery

Size: 18650

### Typical Characteristics



QBAT INDUSTRIAL ICR18650 2200mAh			
Specifications			
Nominal Voltage (V)		3.6V	
Capacity	Discharge rate	C/5	1C
	Nominal (mAh)	2150	2070
	Typical (mAh)	2200	2120
Dimension	Diameter (mm)	$18.0^{+0.5}_{-0.5}$	
	Height (mm)	$65.0^{+0.5}_{-0.5}$	
Charging	Standard	220 mA x 15 hrs	
	Quick	2200 mA x 1.2 hrs $T_{max}=45^{\circ}C$ $-\Delta V = 5\sim 8mV$	
Operating Temperature ( $^{\circ}C$ )	Standard Charging	0 ~ 45 $^{\circ}C$	
	Quick Charging	10 ~ 40 $^{\circ}C$	
	Discharging	-20 ~ 60 $^{\circ}C$	
	Storage	-20 ~ 35 $^{\circ}C$	
Internal Resistance		$\leq 52m$ Ohm (upon 50% discharge)	
Weight		Approx.46g	
Cuff-off Voltage (V)		2.8	



**Cylindrical**

The data shown is correct at a temperature of 20 $\pm$ 5 $^{\circ}C$  Shutdown at  $-\Delta V = 15mV$ , after reaching 120% of the rated capacity or at a temperature above 55 $^{\circ}C$