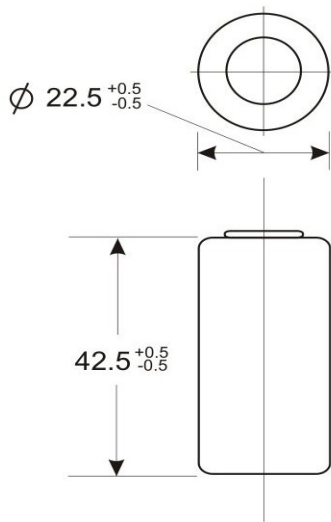


# QBAT INDUSTRIAL H-SC3000HP

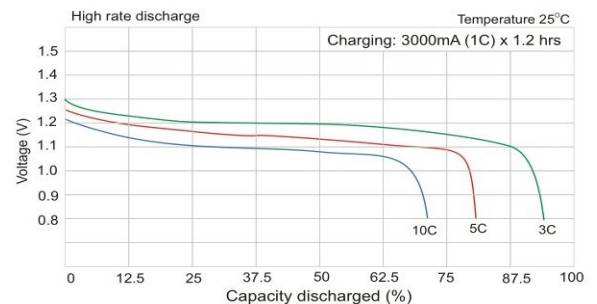
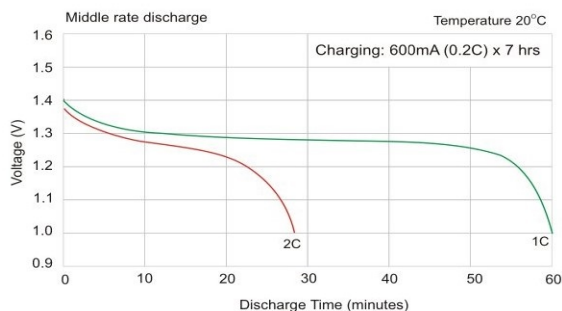
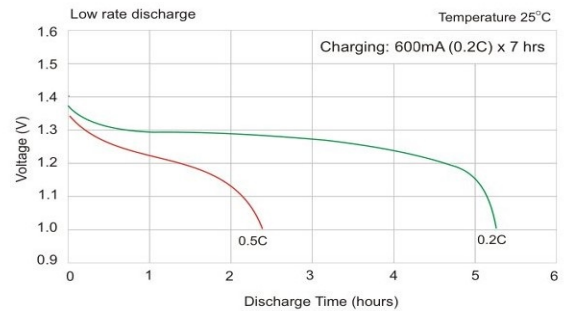
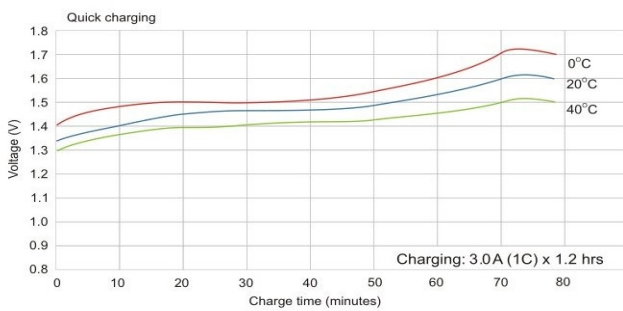
NiMH Cylindrical Battery

Size: SC

## Typical Characteristics



QBAT INDUSTRIAL H-SC3000HP			
Specifications			
Nominal Voltage (V)		1.2V	
Capacity	Discharge rate	C/5	1C
	Nominal (mAh)	3000	2700
	Typical (mAh)	3050	2750
Dimension	Diameter (mm)	$22.5^{+0.5}_{-0.5}$	
	Height (mm)	$42.5^{+0.5}_{-0.5}$	
Charging	Standard	300mA x 15 hrs	
	Quick	3000mA x 1.2 hrs $T_{max}=55^{\circ}\text{C}$ $-\Delta V = 5\sim 8\text{mV}$	
Operating Temperature ( $^{\circ}\text{C}$ )	Standard Charging	0 ~ 45 $^{\circ}\text{C}$	
	Quick Charging	10 ~ 40 $^{\circ}\text{C}$	
	Discharging	-20 ~ 60 $^{\circ}\text{C}$	
	Storage	-20 ~ 35 $^{\circ}\text{C}$	
Internal Resistance	$\leq 8\text{m Ohm}$ (upon 50% discharge)		
Weight	Approx. 56g		
Cuff-off Voltage (V)	1.00		



The data shown is correct at a temperature of 20 $\pm$ 5 $^{\circ}\text{C}$  Shutdown at  $-\Delta V = 15\text{mV}$ , after reaching 120% of the rated capacity or at a temperature above 55 $^{\circ}\text{C}$