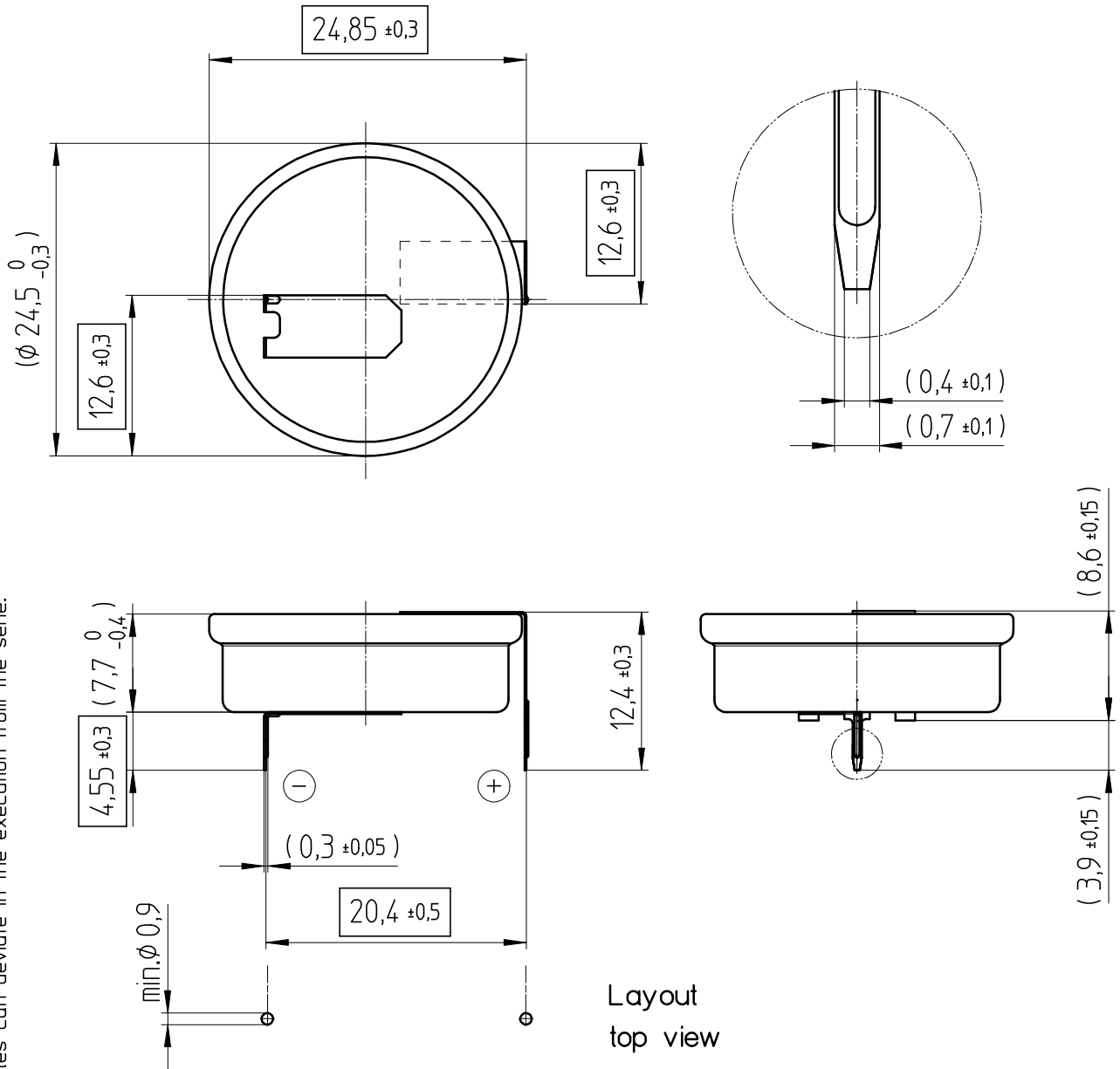


Art.-Number: 701100



- Samples can deviate in the execution from the serie.

- Dimensions and tolerances can be specified only after the testing of the devices for the mass production definitely

Tab material: Stainless steel

All framed values will be used for dimension checking !

Rev.	○			Rev.	○			Customer's Approval			
Rev.	○			Rev.	○			Date			
Rev.	○			Rev.	○			Signature			
Titel:								Scale 2:1	Drawn	06.01.05	SRi
CR2477NFH-LF									Checked	07.02.05	MHo
									Approved		
				CH-4452 Itingen Switzerland				3.8738.4-			