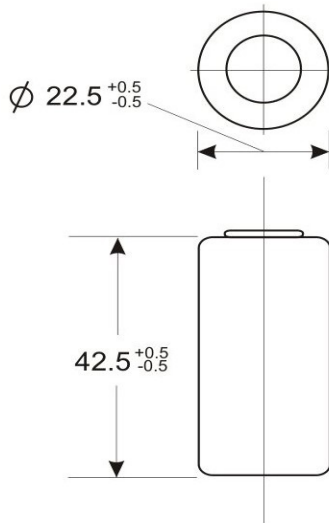


# QBAT INDUSTRIAL D-SC2000P

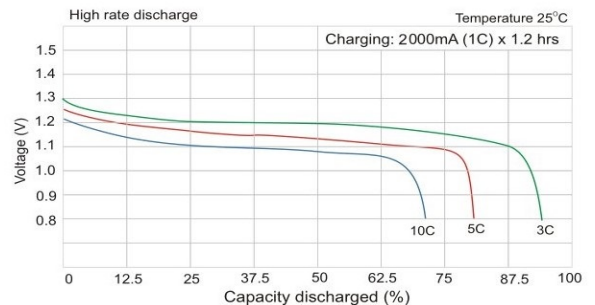
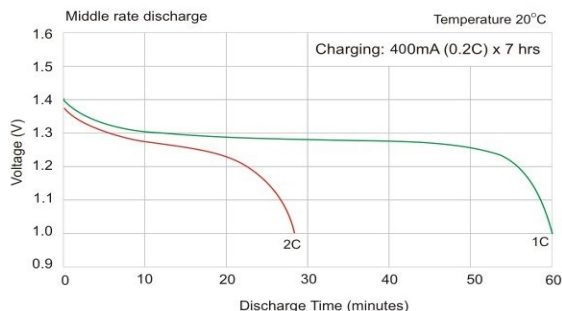
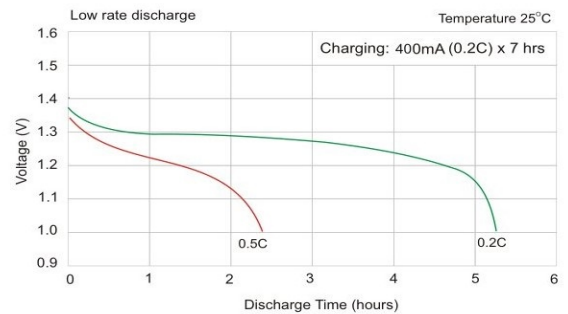
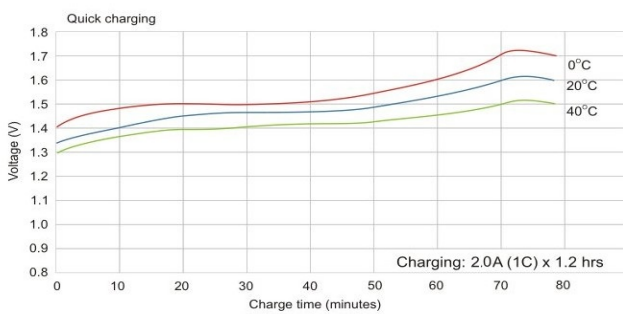
NiCd Cylindrical Battery

Size: SC

## Typical Characteristics



QBAT INDUSTRIAL D-SC2000P			
Specifications			
Nominal Voltage (V)		1.2V	
Capacity	Discharge rate	C/5	1C
	Nominal (mAh)	2000	1820
	Typical (mAh)	2050	1870
Dimension	Diameter (mm)	$22.5^{+0.5}_{-0.5}$	
	Height (mm)	$42.5^{+0.5}_{-0.5}$	
Charging	Standard	200mA x 15 hrs	
	Quick	2000mA x 1.2 hrs $T_{max}=45^{\circ}C$ $-\Delta V = 5\sim 8mV$	
Operating Temperature ( $^{\circ}C$ )	Standard Charging	0 ~ 45 $^{\circ}C$	
	Quick Charging	10 ~ 40 $^{\circ}C$	
	Discharging	-20 ~ 60 $^{\circ}C$	
	Storage	-20 ~ 35 $^{\circ}C$	
Internal Resistance	$\leq 13m$ Ohm (upon 50% discharge)		
Weight	Approx.50g		
Cuff-off Voltage (V)	1.00		



The data shown is correct at a temperature of 20 $\pm$ 5 $^{\circ}C$  Shutdown at  $-\Delta V = 15mV$ , after reaching 120% of the rated capacity or at a temperature above 55 $^{\circ}C$