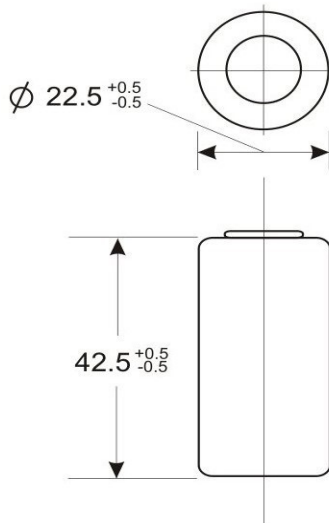


QBAT INDUSTRIAL D-SC1800P

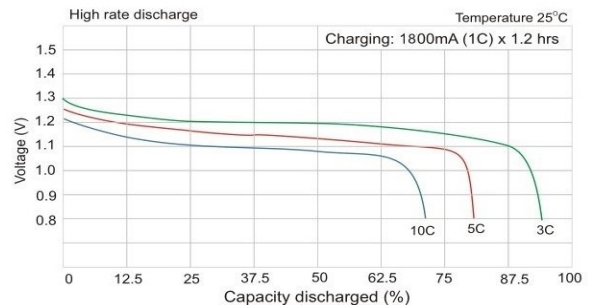
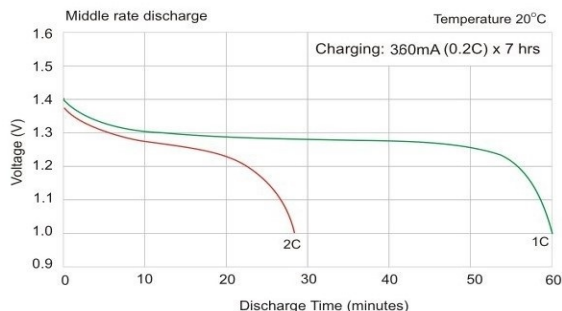
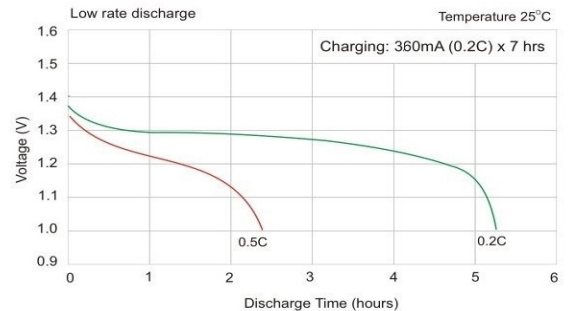
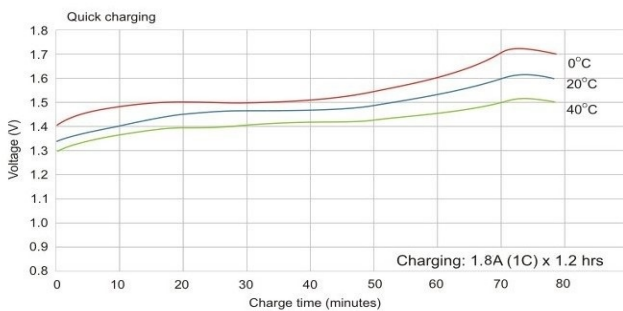
NiCd Cylindrical Battery

Size: SC

Typical Characteristics



QBAT INDUSTRIAL D-SC1800P			
Specifications			
Nominal Voltage (V)		1.2V	
Capacity	Discharge rate	C/5	1C
	Nominal (mAh)	1750	1620
	Typical (mAh)	1800	1570
Dimension	Diameter (mm)	$22.5^{+0.5}_{-0.5}$	
	Height (mm)	$42.5^{+0.5}_{-0.5}$	
Charging	Standard	180mA x 15 hrs	
	Quick	1800mA x 1.2 hrs $T_{max}=45^{\circ}C$ $-\Delta V = 5\sim 8mV$	
Operating Temperature ($^{\circ}C$)	Standard Charging	0 ~ 45 $^{\circ}C$	
	Quick Charging	10 ~ 40 $^{\circ}C$	
	Discharging	-20 ~ 60 $^{\circ}C$	
	Storage	-20 ~ 35 $^{\circ}C$	
Internal Resistance	$\leq 13m$ Ohm (upon 50% discharge)		
Weight	Approx.48g		
Cuff-off Voltage (V)	1.00		



The data shown is correct at a temperature of 20 \pm 5 $^{\circ}C$ Shutdown at $\Delta V = 15mV$, after reaching 120% of the rated capacity or at a temperature above 55 $^{\circ}C$