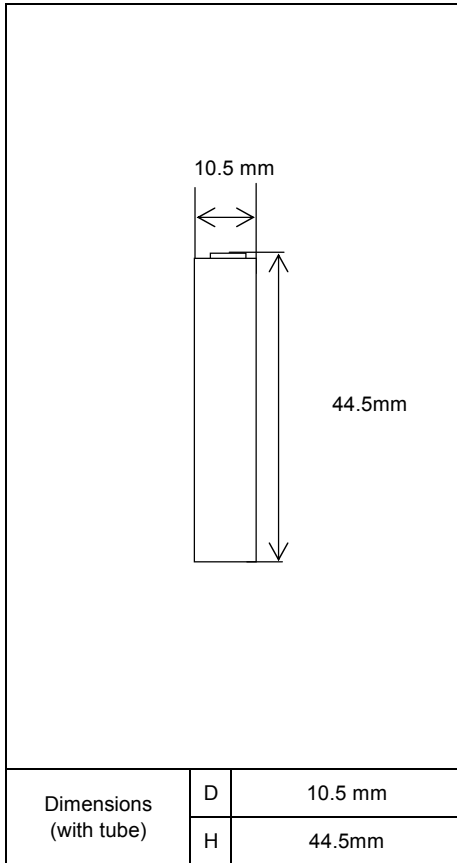


### Specifications

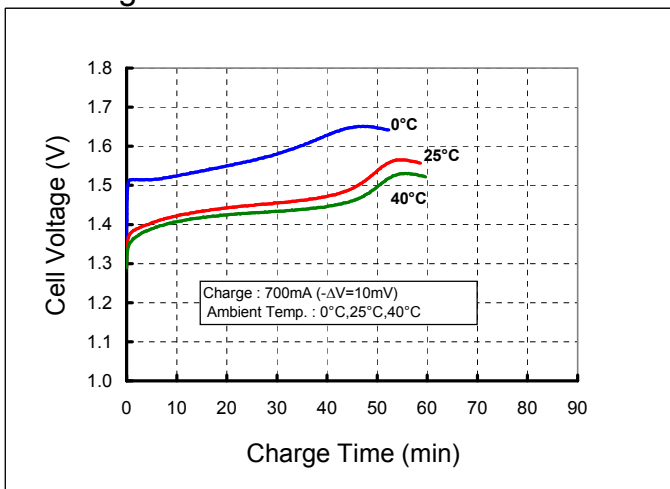


Type : Nickel-Metal Hydride Battery		Size : AAA
Capacity <sup>1)</sup>	Typical	700mAh
	Minimum	650mAh
Nominal Voltage		1.2V
Charging Current x Time	Fast Charge <sup>2)</sup>	700 mA x about 1.1h
Ambient Temp.	Charge Condition	Fast Charge <sup>2)</sup>
	Discharge Condition	
	Storage Condition	Less than 30days
Less than 90days		0°C - 50°C
Less than 1year		-20°C - 50°C
Internal Impedance <sup>3)</sup> (after discharge to E.V.=1.0V)		Approx. 35mΩ(at 1000Hz)
Weight <sup>4)</sup>		Approx. 13 g
Size <sup>4)</sup> : (Diameter) x (Height)		10.5(D) x 44.5(H)

- 1) Single cell capacity under the following condition.  
Charge : 70mA×16h, Discharge : 140mA(E.V.=1.0V) at 20°C
- 2) Use recommended charging system.
- 3) After a few charge and discharge cycles under the above 1) condition.
- 4) With tube.

### Typical Characteristics

#### Charge



#### Discharge

