

SL-2880 Size: D

> XOL – extended operating life

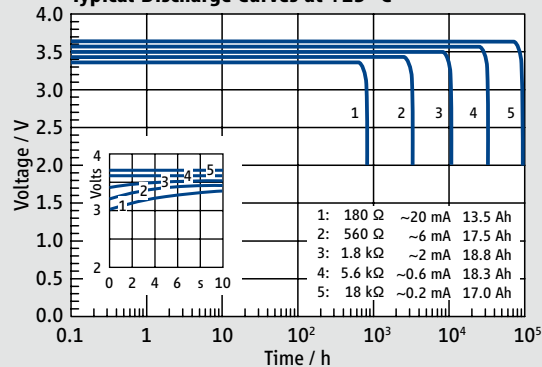
Performance Data

(Typical values for batteries stored at +25 °C for one year)

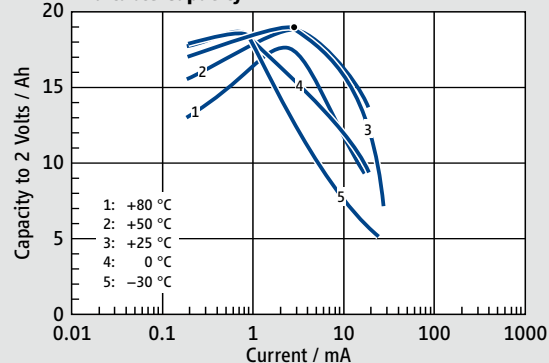
| | |
|-----------------------------------|--------------------------|
| System | Lithium Thionyl Chloride |
| Nominal voltage | 3.6 V |
| Nominal capacity | 19 Ah |
| Nominal current | 4 mA |
| Max. continuous discharge current | 100 mA |
| Pulse current capability | 250 mA |
| Anode surface area | 45 cm ² |
| Lithium content | 5 g |
| Weight | 93 g |
| Volume | 51 cm ³ |
| Temperature range | -55 °C ... +85 °C |



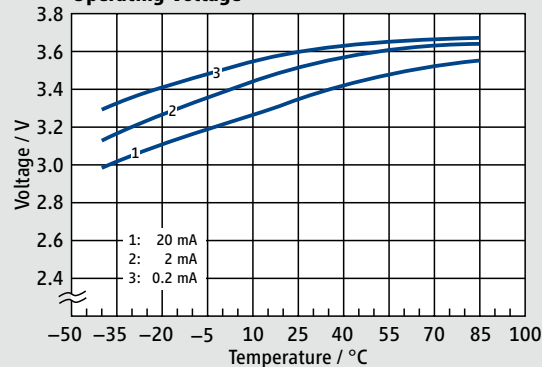
Typical Discharge Curves at +25 °C



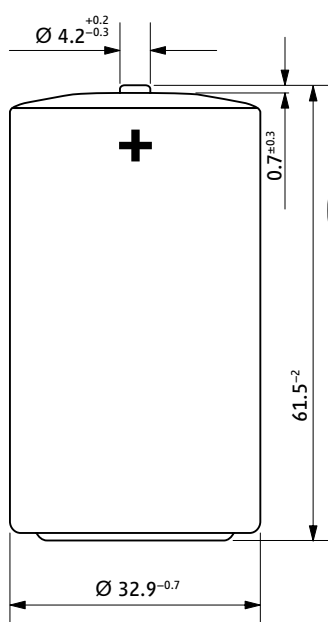
Available Capacity



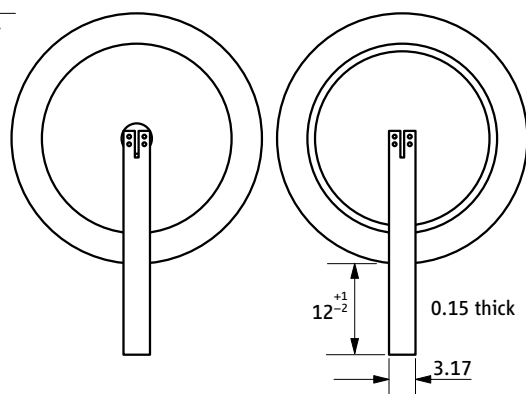
Operating Voltage



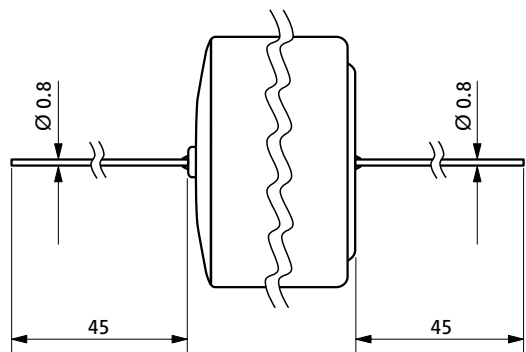
SL-2880/S



SL-2880/T



SL-2880/P



Available Terminations

| | | |
|-----------|----------|---------------|
| SL-2880/S | Standard | 11 2 18801 00 |
| SL-2880/T | Tags | 11 2 18802 00 |
| SL-2880/P | Pins | 11 2 18803 00 |

Catalogue No.

WARNING:
Fire, explosion, and severe burn hazard. Do not recharge, disassemble, heat above 100 °C, incinerate, or expose contents to water.